

# 301

SR1142SW (SR43)  
Watch Battery OEM  
Swiss Made

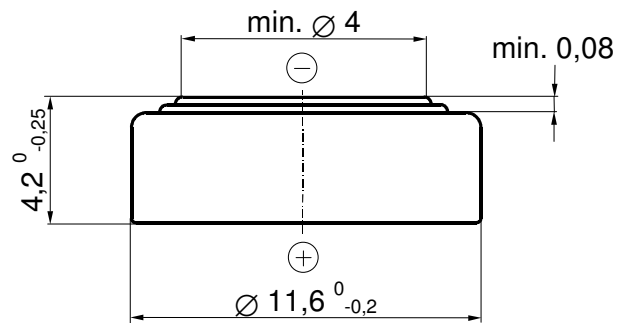
## Technical Data Sheet

### Specifications

Chemical system	Zinc / Monovalent Silver Oxide, low drain
Nominal Voltage	1,55 V
Capacity	120 mAh, Discharge over 10 kΩ at 20°C to 1,2 V
Operating Temperature	0°C – 60°C
Self Discharge	Less than 5% per year at 20°C
Weight	~1,60 g

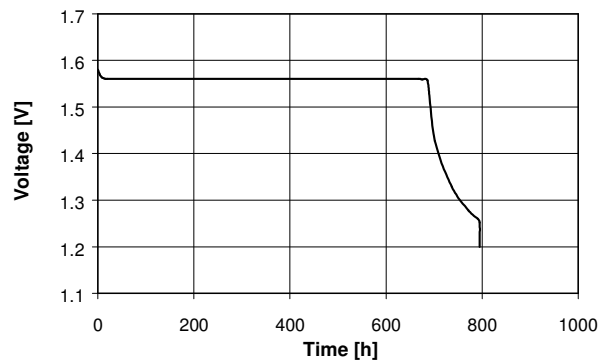
### Dimensions

Diameter	11,60 mm (0,457")
Height	4,20 mm (0,165")



### Discharge Curve

Constant Load	10 kΩ
Starting Drain	156 $\mu$ A
Temperature	20°C



Information and contents in this data sheet are for reference purpose only. They do not constitute any warranty or representation and are subject to change without notice. For most current information and further details, please contact your Renata representative.

Rev. 301.05 05/07